

## DEPARTMENT OF THE ARMY TECHNICAL BULLETIN

### COMBAT VEHICLES: REINFORCEMENT OF TRACK CONNECTING FIXTURE (5120-605-3926)

Headquarters, Department of the Army, Washington 25, D.C.  
8 March 1962

**1. Purpose and Scope.** To prevent hook breakage of track connecting fixture 5120-605-3926 by reinforcement at stress points. Inspection for servicability of fixtures and the application of reinforcement welds will be performed by field (third echelon) or higher.

**2. General.** Inspect track connecting fixture hooks for faulty welding of hook to base at A and B, figure 1. If weld is undercut or less than 3/16-inch across the face at any point, make repair according to the following procedure. Check for a 1/8-inch radius required at C and apply weld if this radius has been omitted.

#### 3. Procedure.

**Note.** Welding to be applied in accordance with TM 9-237, using electrode—3439-262-2654 (No. 6011).

- Wire brush and clean area of weld.
- Cover fixture screw threads and surfaces with asbestos.
- Apply additional weld passes at A and B, figure 1 if reinforcement is required. Make weld face 3/8 to 1/2-inch.
- Make a 1/4-inch weld at C (fig. 1), if radius was omitted. Do not undercut at weld ends.

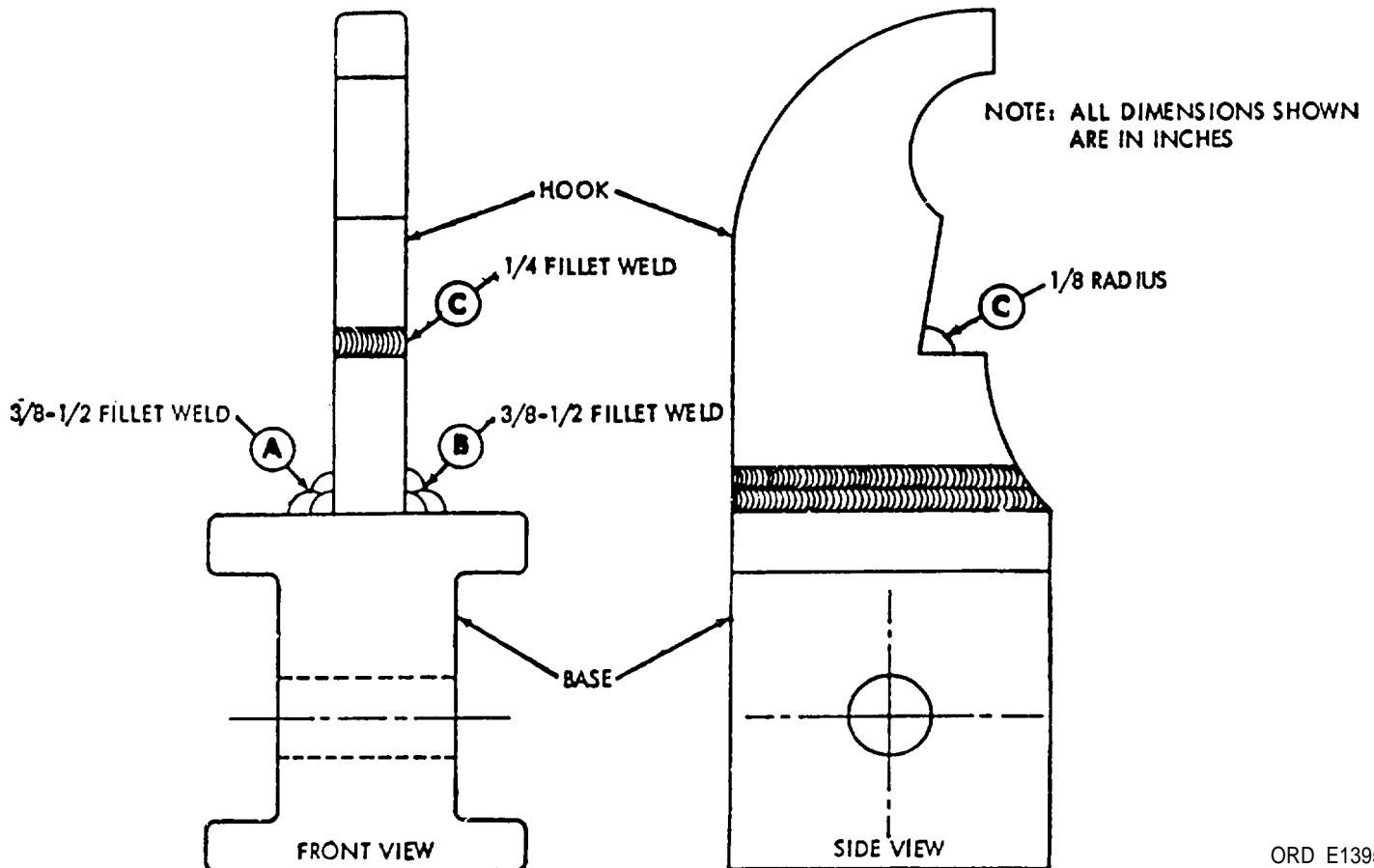


Figure 1. Reinforcement of Track Connecting Fixture Hook.

ORD E13955

**BY ORDER OF THE SECRETARY OF THE ARMY**

**G. H. DECKER**  
*General United States Army,*  
*Chief of Staff.*

Official:  
**J. C. LAMBERT,**  
*Major General United States Army,*  
*The Adjutant General.*

Distribution:

*Active Army:*

DCSLOG (1)	Ord Arsenals (5) except	6-135	9-67
CNGB (1)	Benicia (15), Frankford (10)	6-300	9-76
Tech Stf, DA (1) except	Joliet (3), Raritan (10), Water-	6-301	9-137
CofOrd (12)	vliet (none)	6-315	9-167
Ord Bd (2)	Ord Plants (5) except	6-316	9-367P
USCONARC (3)	Kingsbury (none), Lake City (2)	6-317	9-500 (CC)
ARADCOM (2)	Pantex. (none), Radford (1),	6-325	11-55
ARADCOM Rgn (2)	Ravenna (1)	6-326	11-57
OS Maj Comd (2)	Springfield Armory (2)	6-327	11-67
OS Base Comd (2)	(GENDEP (2)	6-328	11-68
LOGCOMD (2)	Ord Dep GENDEP (5)	6-330	17-2
Armies (3)	Ord Dep (1) except	6-415	17-17
Corps (2)	Black Hills (5), Rossford (10),	6-418	17-22
Div (2)	Savanna (6), Sierra (3), Sioux (2),	7-11	17-25
Instl (1) except	Tooele (none), Umatilla (3),	7-12	17-26
Ft Bliss (9)	Wingate (3)	7-17	17-27
Ft Hood (7)	Ord Dist (1) except	7-19	17-45
Ft Meade (3)	Cleveland (2), New York (3),	7-25	17-46
Ft Sam Houston (7)	St. Louis (3), Philadelphia (4)	7-26	17-51
Ft Belvoir (7)	Mil Man (1)	7-27	17-52
Ft Bragg (2)	MAAG (1)	7-31	17-55
Ft Sill (6)	Units organized under following	7-32	17-56
Svc Colleges (2)	TOE'S (2 copies each):	7-52	17-57
Br Svc Sch (2) except	5-5	5-38	9-7
USA Ord Sch (50)	5-6	5-48	9-9
Ord Tk-Autmv Comd (105)	5-7	6-37	9-12
Ord Ammo Cored (1)	5-8	6-100	9-25
OWC (10)	5-15	6-115	9-26
OSA (1)	5-16	6-116	9-27
Ord PG (2)	5-17	6-125	9-65
Trans Tml Comd (2)	5-35	6-126	9-66
Army Tml (2)	5-36	6-127	29-55
POE (2)	5-37	6-128	

*NG:* State AG (3) units-same as active Army except allowance is one copy to each unit.

*USAR:* Same as active Army except allowance is one copy to each unit.

For explanation of abbreviations used, see AR 320-60.